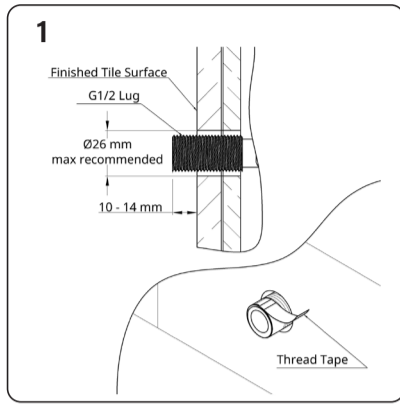




## VARA Shower On Hook

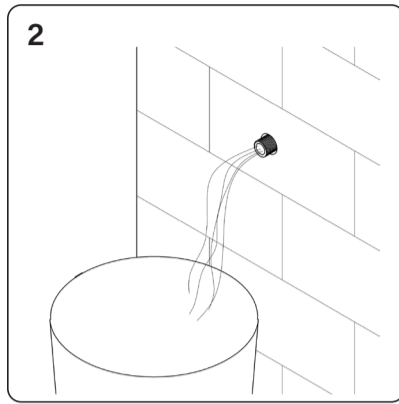
### Rough-in

Note: This VARA rough-in kit has been specifically designed for installing in timber frame walls. The Rough in kit does not contain any decorative components as these are all in the fit off kit.



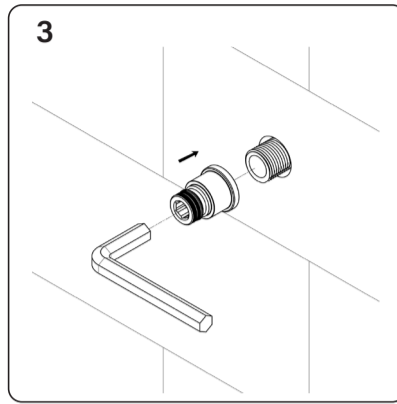
Prepare threaded lug

Ensure that the 1/2" threaded lug is protruding from the finished wall surface between 10 and 14mm, cut to length if necessary. Remove any debris or tile glue from the thread, and apply sufficient thread tape.



Flush systems & check the flow

Switch on the water supply and allow water to flow so as to purge the system and remove debris.

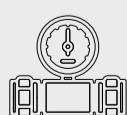


Install Mount spigot

Using a 10mm hex wrench, thread the brass adaptor over the lug and screw it up until it contacts the finished tile or wall surface. Do not use vice grips otherwise the O-rings may be damaged causing leaks.



Must be fitted in accordance with AS/NZS 3500 by qualified plumber



Mains 500kpa regulator must be fitted



Maximum hot water temp. 65°C



Water lines must be flushed prior to connection



Only clean municipal water supply. No bore, dam or hard water without filtration & treatment

### Cleaning

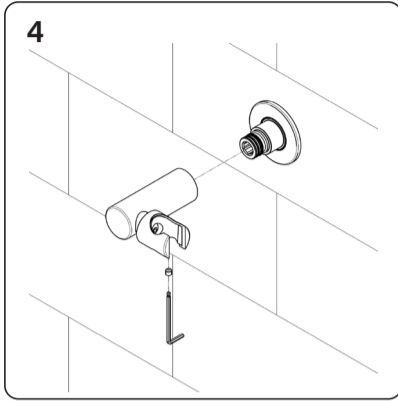
Clean only with a soft microfiber or similar cloth and warm clean water. Ensure that the cloth is clean and free of any grit or chemical. Dry fitting off with a soft clean cloth. Ensure that your fitting is not subject to any chemicals, building grit or any type of abrasive or polish. For care of special finishes please visit our website.



## VARA Shower On Hook

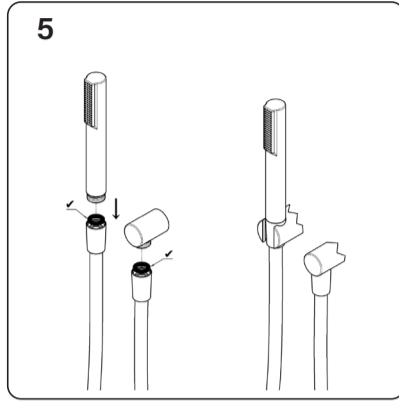
### Fit-Off Kit

Note: Fit off is done after tiling and grouting are complete.



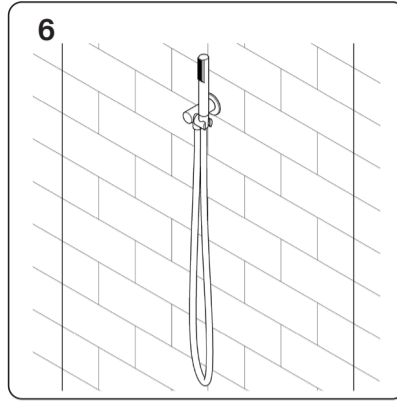
Install product onto mount spigot

Moisten the O-ring inside the flange and slide it over the spigot on the wall. Inspect the two O-rings on the spigot to ensure no damage. Moisten the O-rings on the spigot, and gently push the product over the spigot while rotating it slightly. Ensure the body is flush up against the wall, then thread the grub screw in the underside of the body using the 2.5mm Allen key provided. Straighten the spout, then lock in place by tightening the grub screw firmly.



Install hand shower & hose

Unwrap the hand shower assembly and shower hose. Ensure rubber washers are correctly placed inside the tapered nuts on each end of the hose. Tighten the one nut on the one end of the hose firmly onto the hand shower thread, and the nut on the other end onto the thread on the underside of the fitting. Place the hand shower into the shower hook.



Test the system

Switch on water supply and check proper water flow through the hand shower outlet. If there are any issues please contact Faucet Strommen before leaving the site.