

SUSSEX

Sussex Oria Sink Mixer Pull Out Spray

Tapware is to be installed by a Licensed Plumber in accordance with AS/NZS 3500:2003
 Recommended working water pressure 300 - 500 Kpa. Maximum water temperature is 65°C

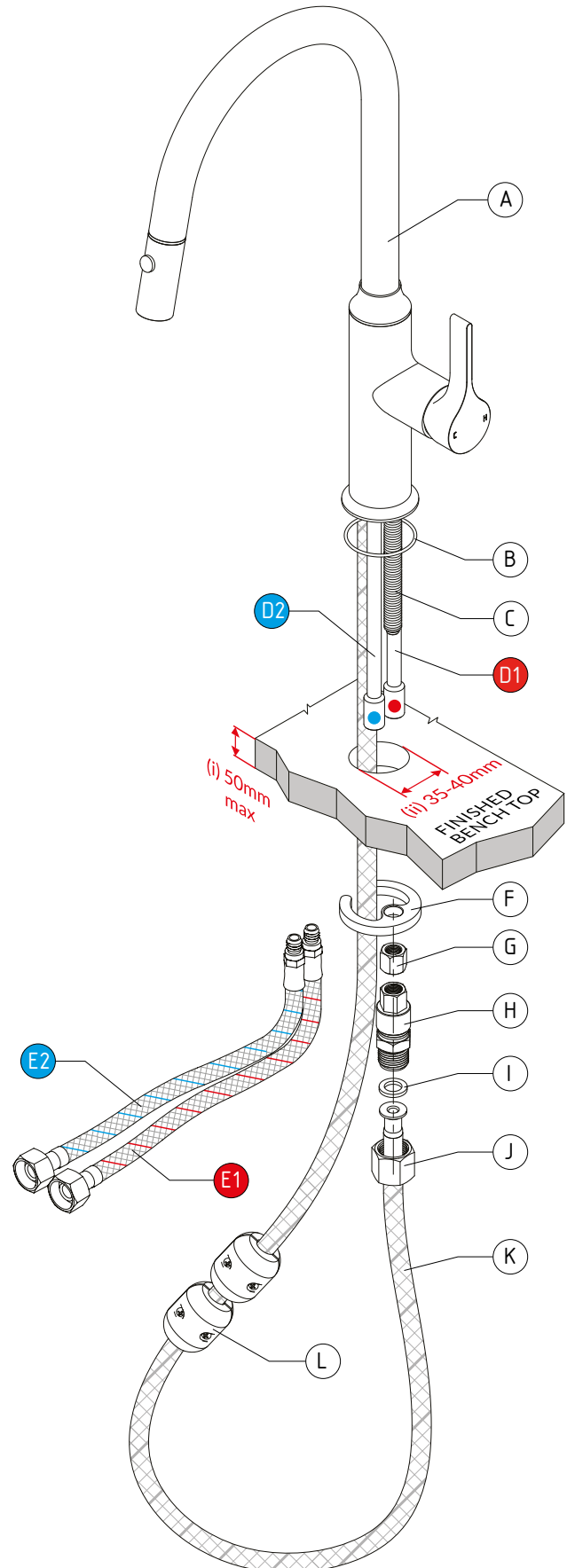
GENERAL NOTE

- The Mixer is supplied pre-assembled, the Fixing Nut (G), Weights (L) and Clamp (F) need to be temporarily removed prior to installation
- Maximum bench thickness is **50mm (i)**.
- Surface Clearance hole diameter is to be between **35 - 40mm (ii)**.
- Ensure adequate cupboard space has been provided to allow the Pull-out hose to move freely.

PLUMBER'S NOTE

- On-site testing using higher water pressures must be conducted with the mixer in the closed position (static test).
- Under no circumstances is the mixer to be opened when exceeding the maximum stated water pressure.
- At completion of testing, do not relieve any high water pressure by operating the mixer.
- Exposing the internals of the Mixer Cartridge to higher than specified water pressures will void the manufacturer's warranty.
- Isolating Stop Valves are recommended with all installations (Not Included).
- Ensure all fittings and connections are secure and water-tight.

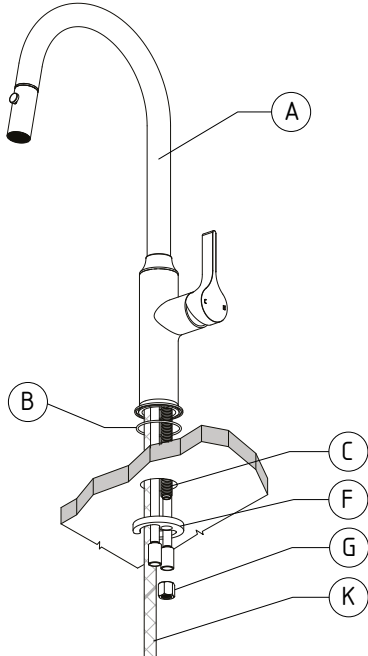
Part	Part Name
A	Mixer Assembly (Pre-assembled)
B	O-ring
C	Thread Bar
D	Flexible hose extensions with M10 connections (D1= HOT and D2 = COLD)
E	Flexible hoses with 1/2" BSP Fittings with Conical Seals (E1= HOT and E2 = COLD)
F	Clamp
G	Fixing Nut
H	Dual Check Valve (DCV)
I	Swivel Hose Gasket
J	Swivel Nut
K	Pull-out Hose
L	Weights



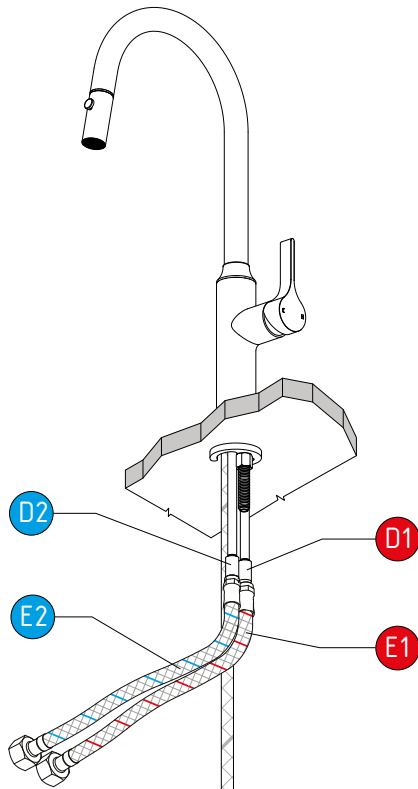
SUSSEX

Sussex Oria Sink Mixer Pull Out Spray

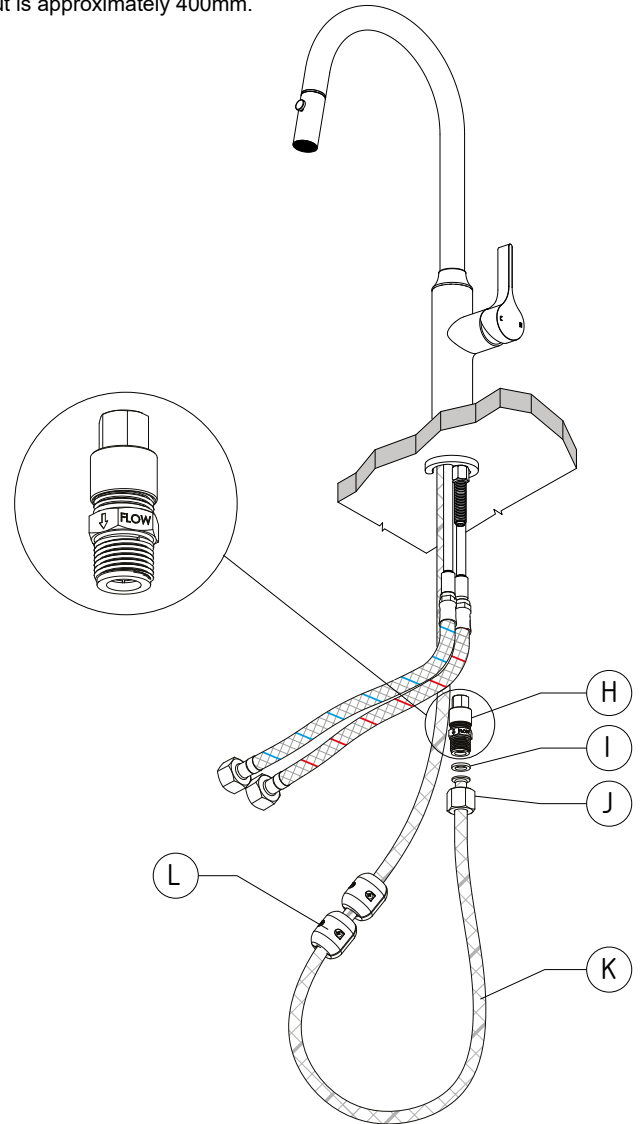
1) With the Fixing Nut (G), Weights (L) and Clamp (F) removed, pass the Pull-out Hose (K) through the mounting surface hole, lowering the Sink Mixer Assembly (A) onto the mounting surface. Working from underneath, fit the Clamp and Fixing Nut onto the Thread Bar (C) while compressing the O-ring (B) between the Sink Mixer and the finished bench surface.



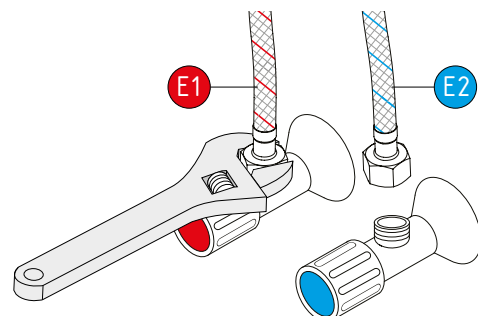
2) Gently bend the Flexible Tail Extensions (D1 & D2) away from the Thread Bar and Pull-out Hose. Then connect the Hot (E1) and Cold (E2) flexible hoses under the bench. Tighten by hand, ensure the O-rings on the flexible hoses are properly seated.



3) Attach the DCV Assembly (H) to the Thread Bar. The DCV has an O-ring to seal the Thread Bar. Connect the Pull-out Hose (K) to the DCV (Ensure the Swivel Hose Gasket (I) is intact and seated inside the swivel nut (J)). Re-attach the Weights (L) to the Hose, adjust the height of the weights if necessary. The maximum recommended length of Nozzle pull-out is approximately 400mm.



4) Connect the Hot (E1) and Cold (E2) flexible hoses to 1/2" BSP pipework and tighten firmly with a spanner. Ensure hoses do not twist or kink during tightening. Sussex recommends using Stop Cocks/Mini Stops, however, these are not supplied.



After installation, establish water supply and thoroughly check operation of tapware to ensure that it functions correctly and no water leaks. Plumbers, please ensure a copy of the Installation Instructions are left with the end user for future reference.