

## Posh Bristol Standard Inset Laundry Trough 45L with 1 Taphole and Bypass Stainless Steel

34649

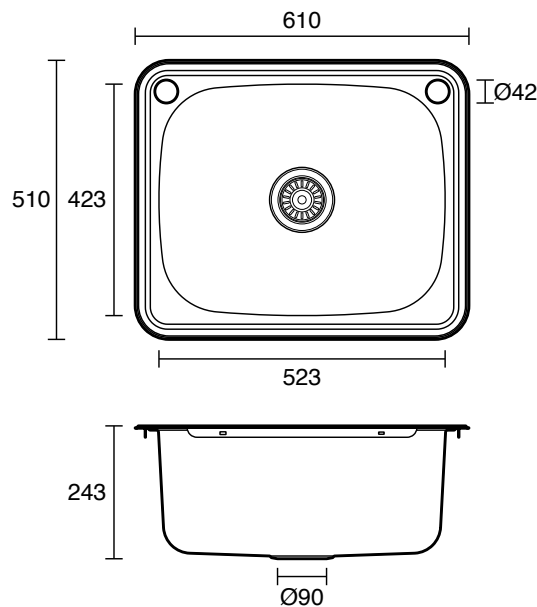
### SPECIFICATIONS

Recommended Use	Residential;Commercial
Trough Colour	Satin Stainless Steel
Primary Material	Stainless Steel 304
Bowl Type	Inset / Semi Inset
Number of Bowls	Single
Bowl Capacity (L)	45
Overflow Included	No
Plug & Waste Included	Yes
Plug & Waste Size	90mm Basket Waste
Taphole Options	One
Mounting	Product Surface

### WARRANTY

Residential & Commercial Use (Years)	30
Spare Parts & Labour (Years)	1

Please refer to Posh Warranty Page for full Terms and Conditions



Dimensions are nominal measurements only.

### CLEANING RECOMMENDATIONS:

We recommend the use of soapy water or approved cleaners. This product should not be cleaned with abrasive materials. Damage caused by any improper treatment is not covered by the product warranty. Refer to Warranty Conditions

**Disclaimer:** Products in this specification manual must by regulation be installed by licensed and registered trade people. The manufacturer/distributor reserves the right to vary specifications or delete models from their range without prior notification. Dimensions are nominal measurements only. Dimensions and set-outs listed are correct at time of publication however the manufacturer/distributor takes no responsibility for printing errors.

Published 01/04/2026

To see the complete Posh range go to  
[www.reece.com.au](http://www.reece.com.au)