

ROCA

THE GAP RIMLESS BACK TO WALL TOILET SUITE BACK INLET

INSTALLATION INSTRUCTIONS

1 Note: Hollow Wall Install. Dimensions: 400, 750, 370, 45, 90.

2 Leveling the toilet.

3 Marking wall for back inlet. Dimensions: 200, 370. Part: Ø12.

4 Drilling and leveling the back inlet. Dimensions: 100, 740. Safety: !

5 Attaching back inlet to wall. Part: 1. Part: 2.

6 Inserting AV0027000R flush valve.

7 Connecting flush valve to toilet. Part: A. Part: B. Part: C. Part: 17.

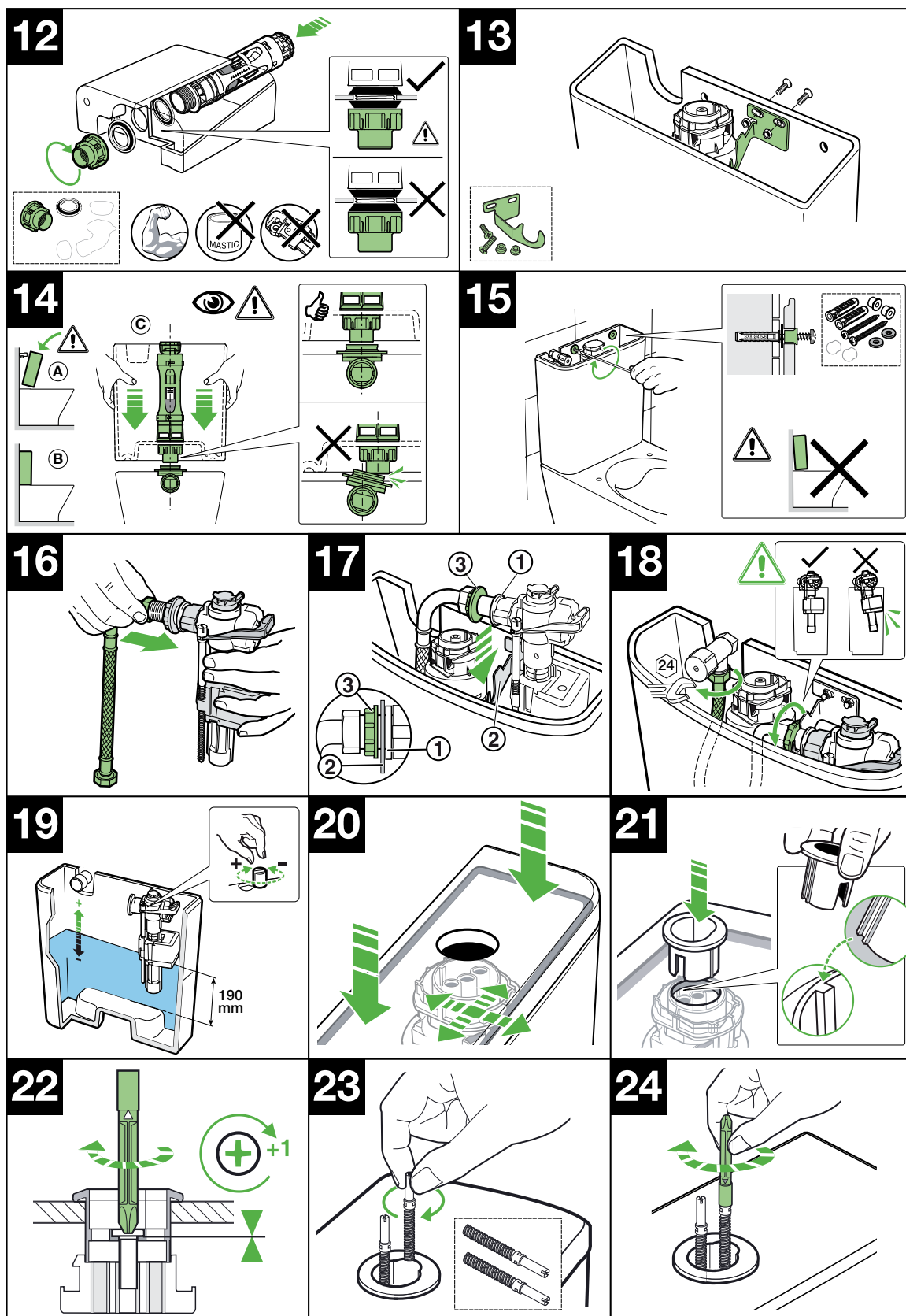
8 Lowering toilet into back inlet. Safety: !

9 Adjusting toilet height (3l) and leveling. Part: A. Part: B. Part: POS. Part: 7.

10 Tightening toilet nuts.

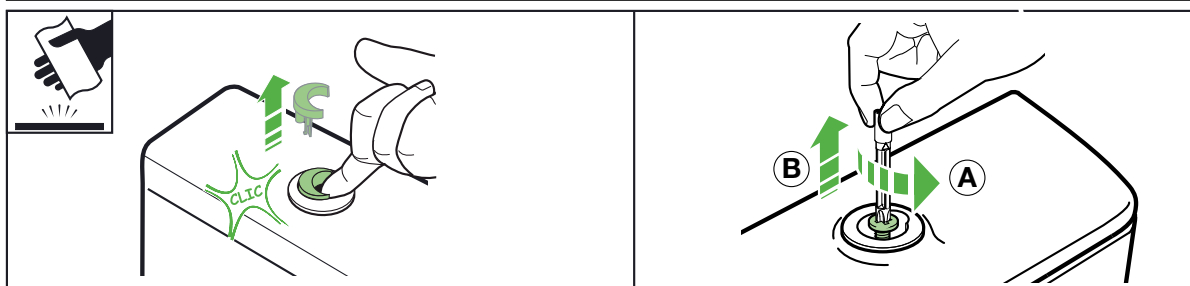
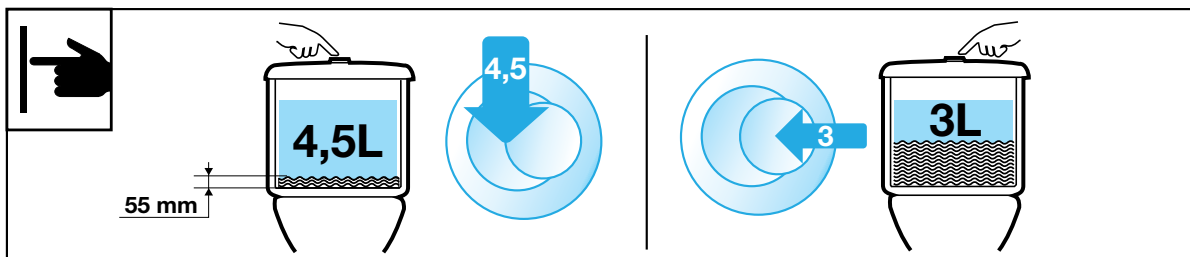
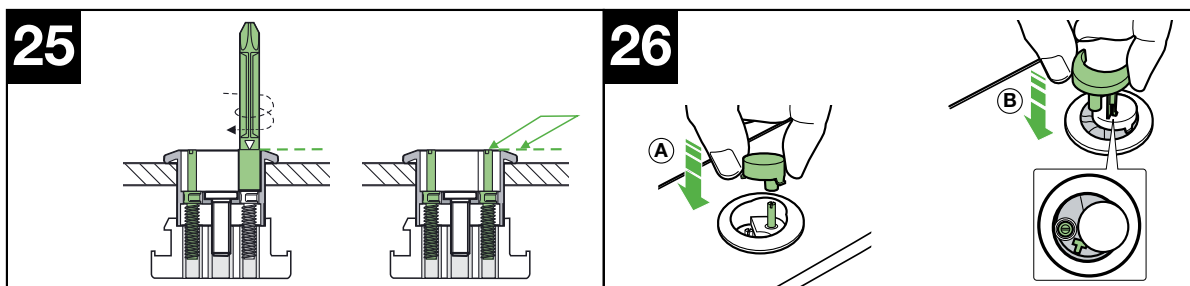
11 Final wall fastening. Dimensions: 45, 160, 115, 750. Part: Ø8.

ROCA THE GAP RIMLESS BACK TO WALL TOILET SUITE BACK INLET

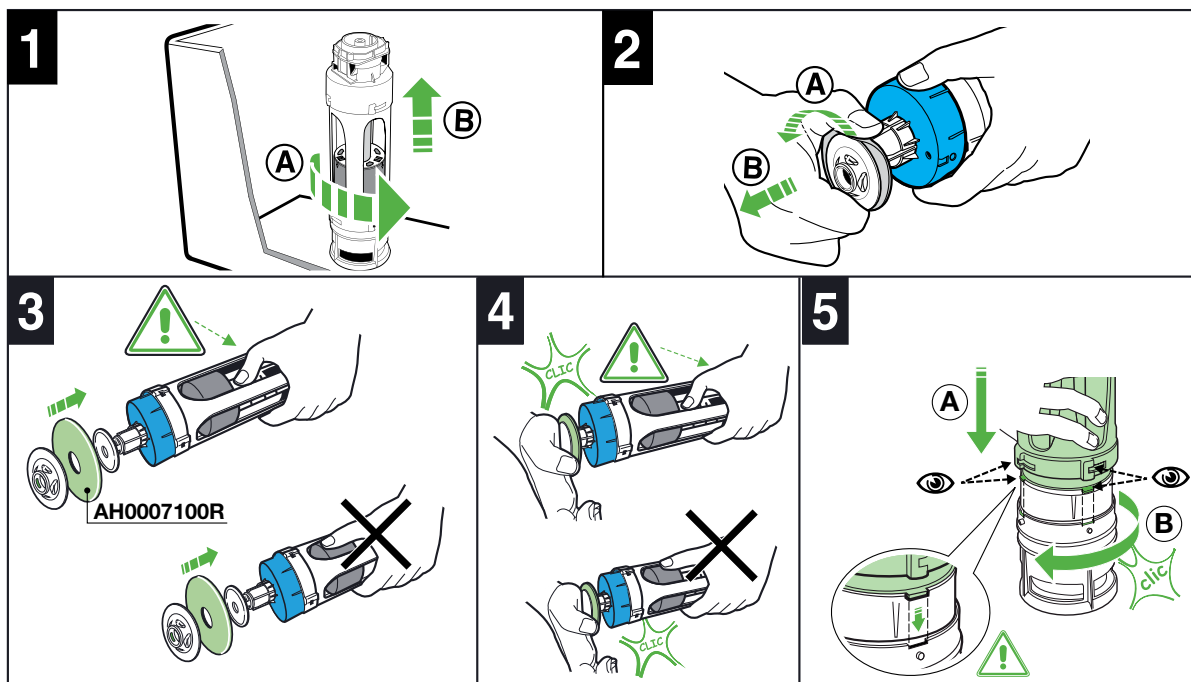


ROCA

THE GAP RIMLESS BACK TO WALL TOILET SUITE BACK INLET



MAINTENANCE / REPLACEMENT OF OUTLET WASHER

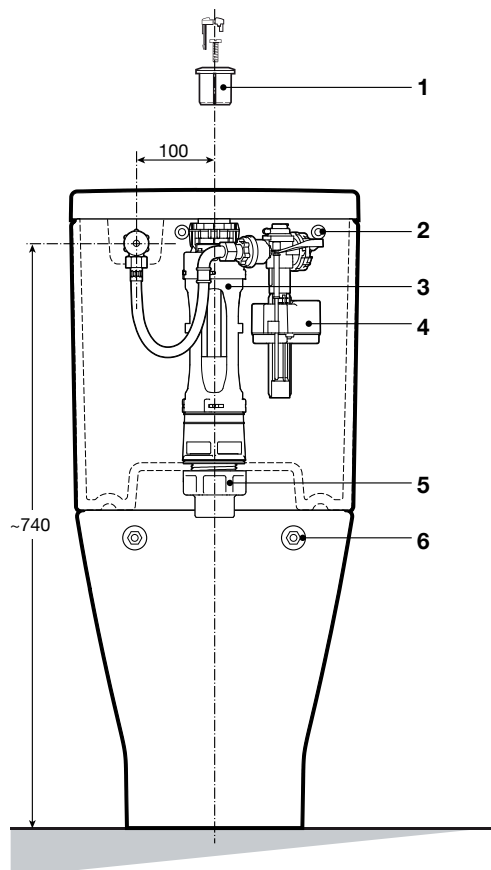


Plumbers, please ensure a copy of the installation instructions is left with the end user for future reference

ROCA

THE GAP RIMLESS BACK TO WALL TOILET SUITE BACK INLET

PARTS



1 - AH0001800R Push Button Assembly

2 - AV0014700R Cistern Fixing Kit



3 - AH0009200R Outlet Valve

4 - A822096400 **W** Inlet Valve

5 - AV0014900R Outlet Flush Assembly



6 - AV0007500R Pan Fixing Kit

