



Arco Giro Quick Turn Mini Stop 15 x 15mm Chrome

112017

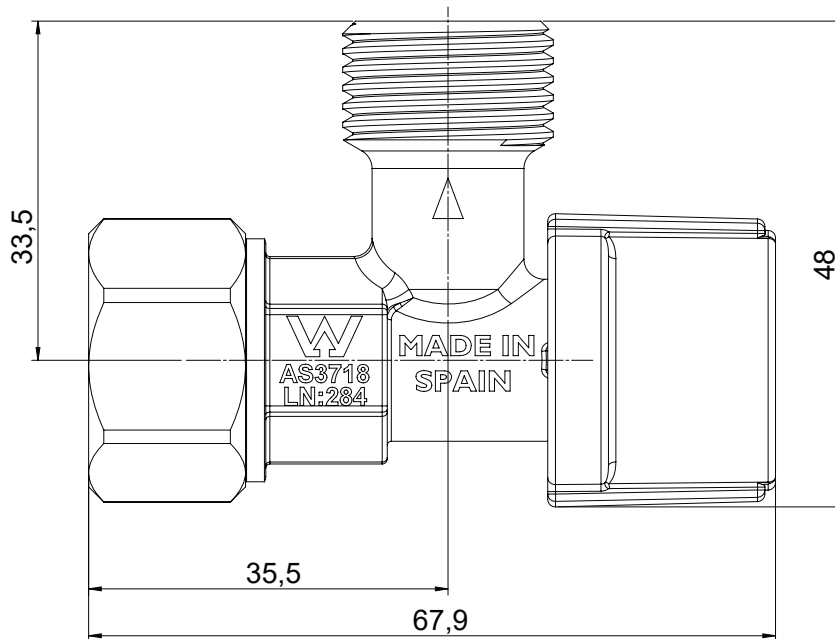
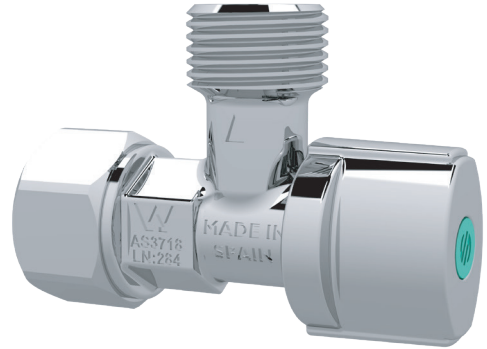
SPECIFICATIONS

Recommended Use	Residential;Commercial
Colour	Chrome
Maximum Continuous Working Pressure	1600 kPa
Minimum Continuous Working Temperature	80 deg C
Suitable for Storage Tank Hot Water	Yes
Suitable for Continuous Flow Hot Water	Yes
Suitable for Gravity Feed Hot Water	Yes

WARRANTY

Parts Replacement Only (Years)	15
--------------------------------	----

Please refer to Warranty Page for full Terms and Conditions



Dimensions are nominal measurements only.

CLEANING RECOMMENDATIONS:

We recommend the use of soapy water or approved cleaners. This product should not be cleaned with abrasive materials. Damage caused by any improper treatment is not covered by the product warranty. Refer to Warranty Conditions

Disclaimer: Products in this specification manual must by regulation be installed by licensed and registered trade people. The manufacturer/distributor reserves the right to vary specifications or delete models from their range without prior notification. Dimensions are nominal measurements only. Dimensions and set-outs listed are correct at time of publication however the manufacturer/distributor takes no responsibility for printing errors.

Published 15/06/2026

To see the complete Arco range go to www.reece.com.au

