

## Roca The Gap Inset Bath Only 1700 x 750mm White

9505095

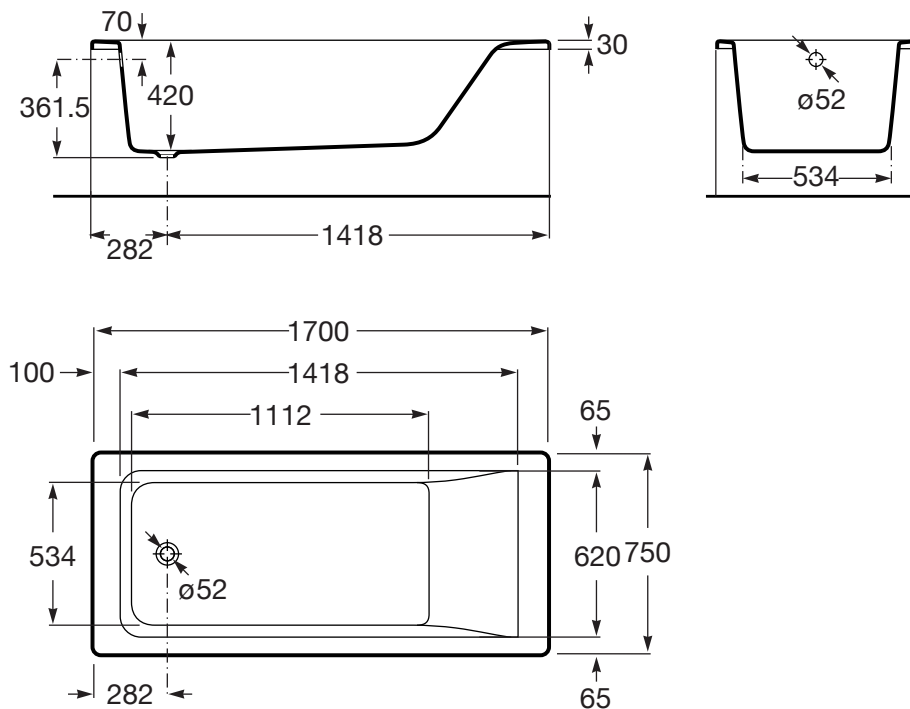
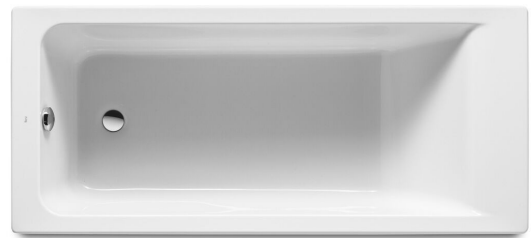
### SPECIFICATIONS

Recommended Use	Residential;Commercial
Bath Type	Inset / Island
Primary Material	Acrylic
Colour Finish	White
Capacity (L)	215
Weight (kg)	17
Mounting	Product Surface
Overflow Included	No
Plug & Waste Included	No

### WARRANTY

Residential & Commercial Use (Years)	25
Spare Parts & Labour (Years)	1

Please refer to Roca Warranty page for full Terms and Conditions



Dimensions are nominal measurements only.

### CLEANING RECOMMENDATIONS:

We recommend the use of soapy water or approved cleaners. This product should not be cleaned with abrasive materials. Damage caused by any improper treatment is not covered by the product warranty. Refer to Warranty Conditions

**Disclaimer:** Products in this specification manual must by regulation be installed by licensed and registered trade people. The manufacturer/distributor reserves the right to vary specifications or delete models from their range without prior notification. Dimensions are nominal measurements only. Dimensions and set-outs listed are correct at time of publication however the manufacturer/distributor takes no responsibility for printing errors.

Published 18/05/2026

To see the complete Roca range go to [www.reece.com.au](http://www.reece.com.au)